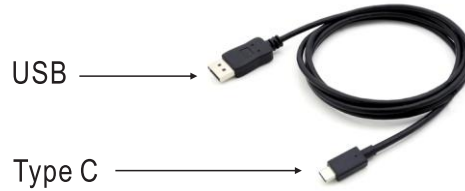




Size:(length*height*width):110mm*120mm*12.8mm

Features:

- 1 input 1 output, isolated temperature transmitter
- Input thermocouple(K,E,J,T,R,S,N,Wre3-25,) RTD(PT100, Cu50,PT1000)
- Isolation between input, output, and power source
- **Input and range programmable via PC software**
- 0.1%F.S measuring accuracy
- **Only a regular USB to type C cable needed for programming**
- Source: 18-35Vdc
- DIN rail mount



Ordering Information

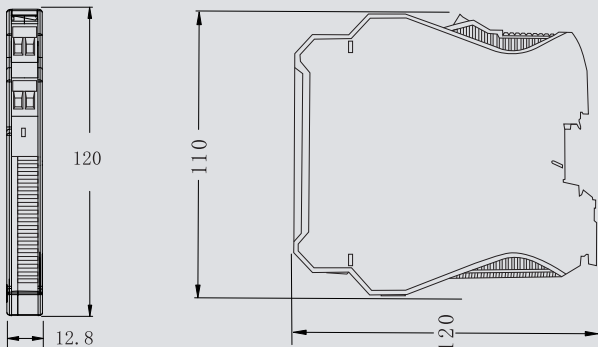
TT-600 Din rail mount temperature transmitter

Technical data

Inputs	Thermocouple(K,E,J,T,R,S,N,Wre3-25) RTD(PT100, Cu50,PT1000) <i>*Pt1000 inputs needs to be custom made the unit won't support Pt100 and Cu50 if it is made to support PT1000.</i>
Excitation current	0.2mA
Lead wire resistance	0~20Ω
Allowable load resistance	≤500Ω for output 4-20mA
Power supply	20-30Vdc
Measuring accuracy	0.1%F.S
Temperature drift	+/- 50ppm/°C
Open loop	Output maximum current and LED indicator flashing when temperature sensor disconnected, the output will be 21mA and the power source indicator flashing, indicates there is a problem with the temperature sensor
Response time	≤200mS
Operating temperature	-25~60°C
Humidity	0-90%RH(No condensation)
Weight	About 0.1kg
Insulation resistance	≥100MΩ/500VDC
Isolation between input/output/source	2000V/1 min

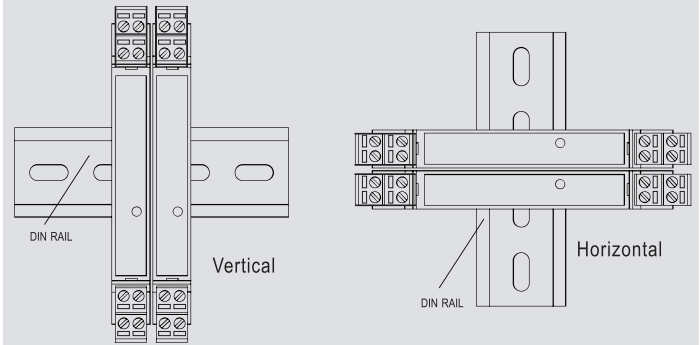
Product dimension and installation

- Size:(length*height*width):110mm*120mm*12.8mm



Installation

- Can be installed to standard DIN rail
Can be installed vertically or horizontally



- Can be installed to standard DIN rail
Can be installed vertically or horizontally

Wiring diagram

